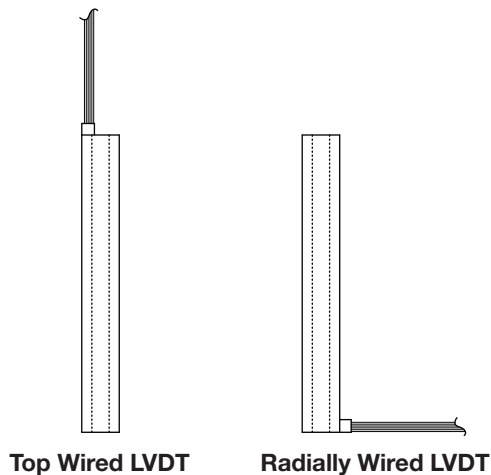
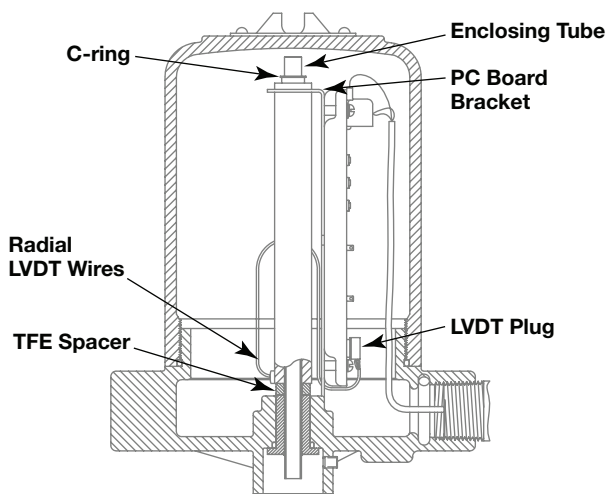




Electronic Modulelevel®

Replacing LVDT

Models E5x, E6x and E8x



The above models were originally supplied with an LVDT with wiring exiting at the top. A second type of LVDT with wiring exiting radially is now being used. If a top wired LVDT must be replaced with a radially wired LVDT, it is critical for proper function of the electronic Modulelevel that the LVDT be mounted with the wiring toward the bottom of the enclosure.

1. Remove power from unit.
2. Remove transmitter housing cover.
3. Remove PC board/bracket assembly by loosening two screws that secure bracket to housing base and slide it off of the enclosing tube.
4. Locate the wire that runs from the top of the original LVDT to the lower right hand corner of the PC board. Remove the eight pin connector on this wire from J1 on the board.
5. Remove the c-ring on the enclosing tube above the LVDT using snap ring pliers.
6. Carefully slide the LVDT from the enclosing tube. If necessary, clip the plastic cable ties on the transmitter PC board.
7. Slide the radially wired LVDT, wired end first, onto the enclosing tube. Ensure that the LVDT is all the way down on the e-tube and seated on the TFE spacer.
8. Carefully, insert the LVDT plug into J1 on the PC board. Be sure not to damage the pins on the plug.
9. Slide the PC board bracket over the top of the e-tube and LVDT. Ensure that the LVDT wire runs underneath the bracket.
10. Replace the two screws that secure the PC board/bracket assembly to the housing base.
11. Replace the C-ring and transmitter cover.
12. Restore power and recalibrate the electronic Modulelevel.



5300 Belmont Road • Downers Grove, Illinois 60515-4499 • 630-969-4000 • Fax 630-969-9489 • www.magnetrol.com
 145 Jardin Drive, Units 1 & 2 • Concord, Ontario Canada L4K 1X7 • 905-738-9600 • Fax 905-738-1306
 Heikensstraat 6 • B 9240 Zele, Belgium • 052 45.11.11 • Fax 052 45.09.93
 Regent Business Ctr., Jubilee Rd. • Burgess Hill, Sussex RH15 9TL U.K. • 01444-871313 • Fax 01444-871317



5300 Belmont Road • Downers Grove, Illinois 60515-4499 • 630-969-4028 • Fax 630-969-9489 • www.sticontrols.com

BULLETIN: 48-695.0
 EFFECTIVE: September 2008