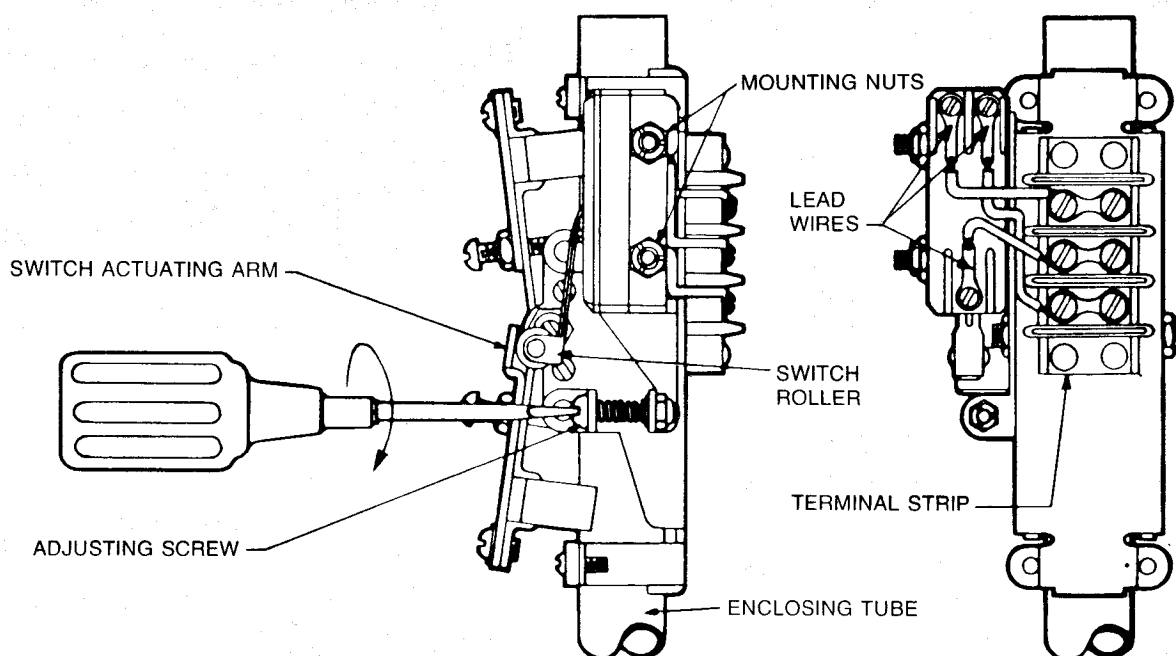




Type G, H & I Switch Mechanisms

INSTALLATION INSTRUCTIONS



1. REMOVAL OF OLD SWITCH

Disconnect power supply. Note and record switch lead wire terminal strip locations. If replacement switch is not supplied with lead wires, note and record location of lead wires, as connected, to switch terminals. Remove lead wires from terminal or switch (as required) and mounting nuts; remove old switch from mounting posts.

2. INSTALLATION OF NEW SWITCH

Place new switch on mounting post and replace mounting nuts. Tighten nuts snugly; tightening too much may damage switch enclosure. Attach switch lead wires.

3. ADJUSTMENT OF NEW SWITCH

There should be an equal amount of over travel at each magnet after switch actuates (or resets). Rotate magnet carriage slowly; a faint click can be heard when the switch snaps; as, lower magnet or upper magnet is

3. ADJUSTMENT OF NEW SWITCH cont.

moved toward the enclosing tube. Turning the adjusting screw clockwise (direction indicated by arrow) will increase the over travel of the magnet nearest the switch actuating arms, after switch actuation; turning counterclockwise will decrease the over travel for this magnet.

NOTE: On double pole G, H & I switch mechanisms, (two switches operated by the same magnet carriage) hold switch roller of other switch depressed so that only actuation of replaced switch is heard. A fine adjustment can be made on the replacement switch so it clicks simultaneously with the other existing switch.

4. LEVEL TEST THE CONTROL

Replace housing cover; reconnect power; vary the liquid level inside the vessel to insure that the replacement switch is properly installed; and, the control is operative.

IMPORTANT

SERVICE POLICY

Owners of Magnetrol products may request the return of a control; or, any part of a control for complete rebuilding or replacement. They will be rebuilt or replaced promptly. Magnetrol International will repair or replace the control, at no cost to the purchaser, (or owner) other than transportation cost if:

- a. Returned within the warranty period; and,
- b. The factory inspection finds the cause of the malfunction to be defective material or workmanship.

If the trouble is the result of conditions beyond our control; or, is NOT covered by the warranty, there will be charges for labor and the parts required to rebuild or replace the equipment.

In some cases, it may be expedient to ship replacement parts; or, in extreme cases a complete new control, to replace the original equipment before it is returned. If this is desired, notify the factory of both the model and serial numbers of the control to be replaced. In such cases, credit for the materials, returned will be determined on the basis of the applicability of our warranty.

No claims for misapplication, labor, direct or consequential damage will be allowed.

RETURNED MATERIAL PROCEDURE

So that we may efficiently process any materials that are returned, it is essential that a «Return Material Authorization» tag be obtained from the factory for attachment to the goods. This is available through Magnetrol's local representative or by contacting Magnetrol Customer Satisfaction supplying the following information:

1. Purchaser Name
2. Description of Material
3. Magnetrol Order Number
4. Serial Number
5. Reason for Return
6. Desired Action

All shipments returned to the factory must be by prepaid transportation. Magnetrol will not accept collect shipments. All replacements will be shipped FOB factory.

UNDER RESERVE OF MODIFICATIONS

BULLETIN N° : BE 42-613.2
EFFECTIVE : MARCH 1991
SUPERSEDES : July 1986



BELGIUM	Heikensstraat 6, 9240 Zele Tel. (052) 45.11.11	Tlx. 25944	Fax. (052) 45.09.93
DEUTSCHLAND	Schloßstraße 76, D-5060 Bergisch Gladbach 1 (Bensberg) Tel. 02204 / 1485	Tlx. 884737 magn-d	Fax. 02204 / 1487
FRANCE	11, Rue A. Einstein, Espace Descartes, 77420 Champs-sur-Marne adresse postale : 77436 Marne-la-Vallée Cédex 2 Tel. (1) 64.68.58.28		Fax. (1) 64.68.58.27
ITALIA	Via Abbadesse 44, I-20124 Milano Tel. 02 / 607.23.97 - 607.22.98		Fax. 02 / 668.66.52
UNITED KINGDOM	Unit 1 Regent Business Centre Jubilee Road Burgess Hill West Sussex RH15 9TL Tel. (0444) 871313	Tlx. 87255	Fax (0444) 871317