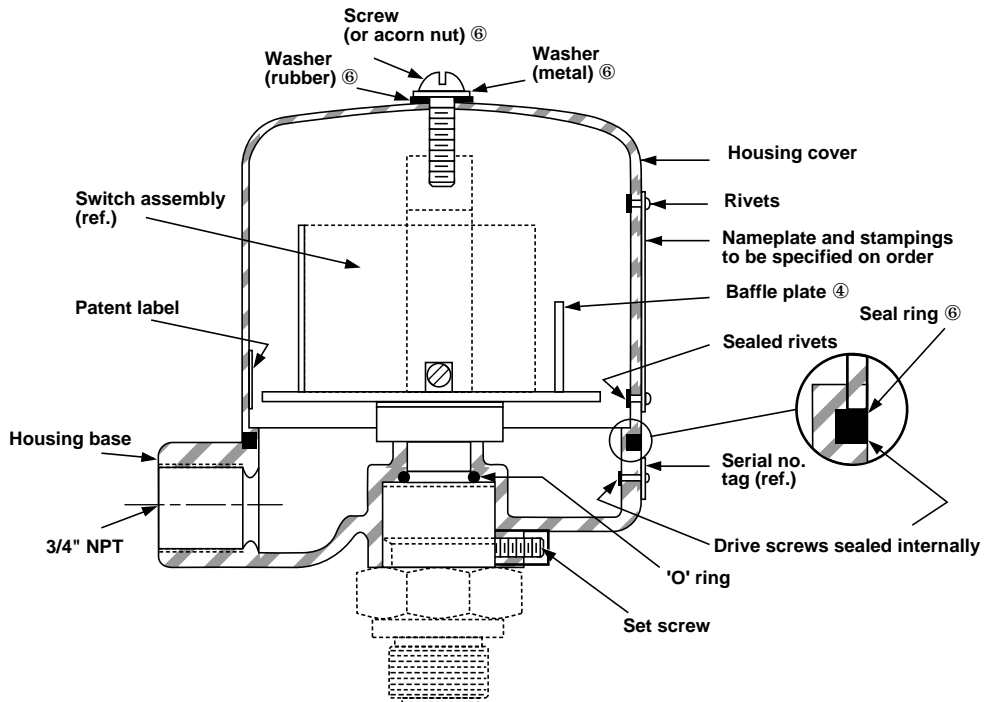




**Series A, B, C, D,  
E, F, G, H, I, U, W,  
X, HS, 2 and 3  
Switch Housings**

**Replacement Assemblies**



**TYPICAL STANDARD HOUSING ASSEMBLY**

**DESCRIPTION**

Standard housing replacement assemblies are designed for applications ranging from general purpose indoor use to non-hazardous installations requiring a dust, water, lint fiber and oil tight enclosure. The manual reset (M.R.) assemblies utilize the same basic components as the standard units; but, are limited to general purpose indoor applications; where the unit is not exposed to unusual conditions.

**NOTE**

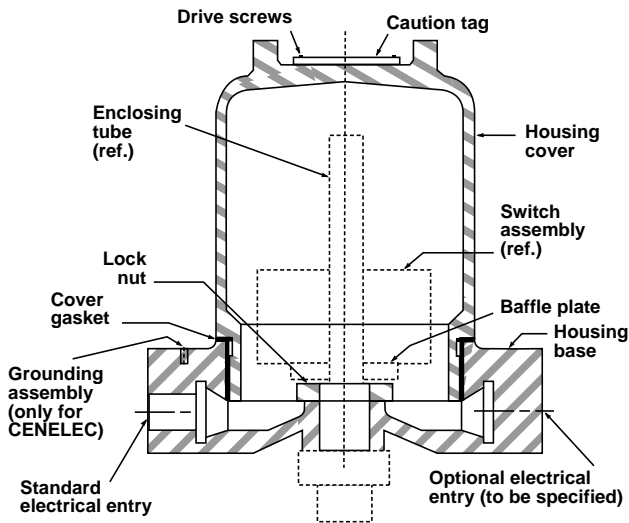
Manual reset mechanism requires a hole in the side of the cover to accommodate the reset actuating plunger.

- ① National Electrical Manufacturers Association.
- ② Includes cover assembly hardware kit (189-6508-001)
- ③ Includes base assembly hardware.
- ④ Baffle plate not required for Series G, H and I switches, Series HS uses a spacer instead.

Description		NEMA Type ①	Replacement kit part no.
Standard housing cover	Short 102 mm (4")	NEMA 1 thru 5 & 12	189-6509-003 ②
	Tall 152 mm (6")		189-6510-003 ②
	with Extension 305 mm (12")		189-6528-003
Manual reset housing cover	Short 102 mm (4")	NEMA 1 only	189-6511-003 ②
	Tall 152 mm (6")		189-6512-003 ②
Transparent Lexan® housing cover Tall 152 mm (6")		NEMA 1 only	189-6522-001
Housing base (Std. & M.R.)		NEMA 1 thru 5 & 12	189-6505-003 ③
Cover assembly hardware ⑥		NEMA 1 thru 5 & 12	189-6508-001 ③
Baffle plate	Series A, B, C, D, E, F, U, W, X 2 & 3	NEMA 1 thru 5 & 12	36-5303-003 ④
Spacer	HS	NEMA 1 thru 5 & 12	04-7517-001

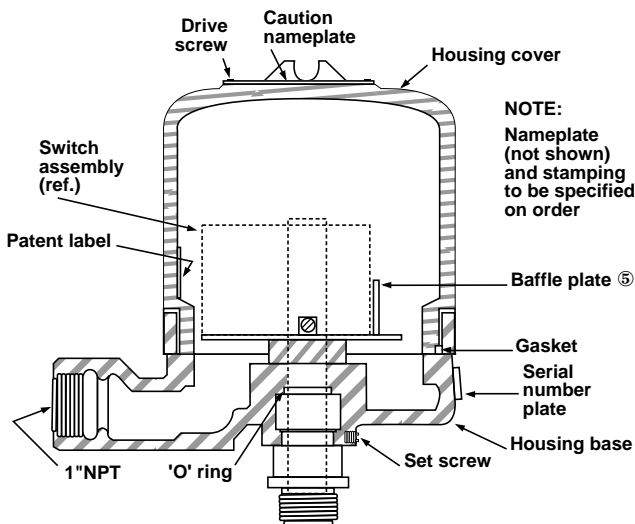
## TYPICAL EXPLOSION PROOF (E.P.) HOUSING

### HOUSING ASSEMBLY - BASEEFA (Ex d II C T6) and CENELEC (EEx d II C T6)



Description	Replacement kit part no.	
	BASEEFA	CENELEC
<b>Housing base kit</b> housing base, nameplate, drive screws, lock nut, lock screw, grounding assembly (only for CENELEC)	189-9124-001 (M20 x 1.5 entry)	189-9126-001 (M20 x 1.5 entry)
<b>Housing cover kit</b> housing cover, caution tag, drive screws, cover gasket	189-9120-001	189-9122-001
<b>Cover gasket</b>	12-1301-005	
<b>Baffle plate</b> (switch series A, B, C, D, E, F, U, W, X, 2 and 3)	36-5303-003	

### HOUSING ASSEMBLY NEMA 7, 9 & CLASS I GROUP B



#### DESCRIPTION

Explosion proof housing replacement assemblies are designed for applications in hazardous atmospheric locations, as classified under types NEMA 7 and 9 of the National Electrical code.

Description		Replacement kit part no.	
Explosion proof housing cover 102 mm (4") kit		189-6513-001	
Explosion proof housing cover 152 mm (6") kit		189-6514-001	
Explosion proof housing base kit		189-6515-001	
Class I, group B housing cover 152 mm (6") and housing base without drain		089-6582-008	
Explosion proof housing cover with extension 279 mm (11") and housing base without drain		089-6578-001	
Gasket		012-2201-249	
'O'-ring		012-2201-116	
Baffle plate	Series A, B, C, D, E, F, U, W, X, 2 and 3	036-5303-003	
Spacer	Series HS	NEMA 7 & 9	004-7517-001
Washer	Series HS	Group B	005-7101-001

#### IMPORTANT

When ordering, please specify:  
1. Model and Serial number of control.  
2. Name and number of replacement kit.

#### NOTE

Consult your local representative on applications to meet NEMA and other codes not covered in this bulletin.

⑤ Baffle plate no required for Series G, H and I switches. Series HS uses a washer instead for NEMA 7 and 9 housings; and a spacer for group B housings.

# HOUSING TYPES



NEMA 4X



NEMA 7 & 9



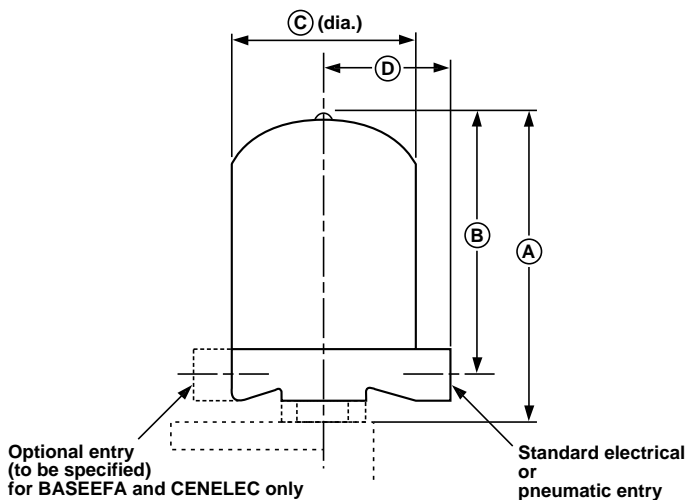
BASEEFA



CENELEC

## DIMENSIONS IN mm (inches)

Housing type (IP rating)	Dimensions				Standard electrical or pneumatic entry (quantity)
	(A)	(B)	(C)(Dia)	(D)	
NEMA 4X (IP 65) - short	165 (6.50)	126 (4.96)	118 (4.65)	83 (3.27)	one entry 3/4" NPT - F
NEMA 4X (IP 65) - tall	216 (8.50)	177 (6.97)			
NEMA 7 & 9 (IP 65) - short	195 (7.68)	154 (6.06)	143 (5.63)	100 (3.94)	one entry 1" NPT - F
NEMA 7 & 9 (IP 65) - tall	246 (9.69)	205 (8.07)			
BASEEFA Ex d IIC T6 (IP 65) ⑥ CENELEC EEx d IIC T6 (IP 65) ⑥	249 ⑥ (9.80)	205 (8.07)	143 (5.63)	110 (4.33)	one entry M 20 x 1.5 or one entry 3/4" NPT ⑨
Series K pneumatic (IP 53) - short ⑦	165 (6.50)	177 (6.97)	118 (4.65)	130 (5.12)	two entries 1/4" NPT - F
Series K pneumatic (IP 53) - tall ⑦	216 (8.50)				
Series J pneumatic (IP 53) - short ⑦	165 (6.50)			110 (4.33)	one entry 1/4" NPT - F
Series J pneumatic (IP 53) - tall ⑦	216 (8.50)				



- ⑥ IP66 optional (consult factory)
- ⑦ IP55 optional (consult factory)
- ⑧ add 30 mm (1.18") for flanged (open) cage models, top mounted flanged units and PTB models.
- ⑨ other available entries (qty: 1 or 2):  
 1/2" NPT, 1" NPT,  
 3/4" BET, 1" BET,  
 1/2" BSP, 3/4" BSP, 1" BSP,  
 1/2" BSPT, 3/4" BSPT, 1" BSPT,  
 PG 13.5, PG 16.

# IMPORTANT

## SERVICE POLICY

Owners of Magnetrol products may request the return of a control; or, any part of a control for complete rebuilding or replacement. They will be rebuilt or replaced promptly. Magnetrol International will repair or replace the control, at no cost to the purchaser, (or owner) **other than transportation cost** if:

- a. Returned within the warranty period; and,
- b. The factory inspection finds the cause of the malfunction to be defective material or workmanship.

If the trouble is the result of conditions beyond our control; or, is **NOT** covered by the warranty, there will be charges for labour and the parts required to rebuild or replace the equipment.

In some cases, it may be expedient to ship replacement parts; or, in extreme cases a complete new control, to replace the original equipment before it is returned. If this is desired, notify the factory of both the model and serial numbers of the control to be replaced. In such cases, credit for the materials returned, will be determined on the basis of the applicability of our warranty.

No claims for misapplication, labour, direct or consequential damage will be allowed.

## RETURNED MATERIAL PROCEDURE

So that we may efficiently process any materials that are returned, it is essential that a "Return Material Authorisation" (RMA) form will be obtained from the factory. It is mandatory that this form will be attached to each material returned. This form is available through Magnetrol's local representative or by contacting the factory. Please supply the following information:

1. Purchaser Name
2. Description of Material
3. Serial Number
4. Desired Action
5. Reason for Return
6. Process details

All shipments returned to the factory must be by prepaid transportation. Magnetrol **will not accept** collect shipments.

All replacements will be shipped FOB factory.



BULLETIN N°: BE 42-680.14  
EFFECTIVE: JULY 1994  
SUPERSEDES: February 1993

UNDER RESERVE OF MODIFICATIONS

BELGIUM	Heikensstraat 6, 9240 Zele Tel. (052) 45.11.11	Fax. (052) 45.09.93
DEUTSCHLAND	Schloßstraße 76, D-51429 Bergisch Gladbach-Bensberg Tel. (02204) 9536-0	Fax. (02204) 9536-53
FRANCE	11, Rue A. Einstein, Espace Descartes, 77420 Champs-sur-Marne adresse postale: 77436 Marne-la-Vallée Cédex 2 Tel. (0) 164.68.58.28	Fax. (0) 164.68.58.27
ITALIA	Via Arese 12, I-20159 Milano Tel. (02) 607.22.98 (R.A.)	Fax. (02) 668.66.52
UNITED KINGDOM	Unit 1 Regent Business Centre Jubilee Road Burgess Hill West Sussex RH 15 9TL Tel. (01444) 871313	Fax (01444) 871317
INDIA	B4/115 Safdurjung Enclave, New Delhi 110 029 Tel. 91 (11) 6186211	Fax 91 (11) 6186418