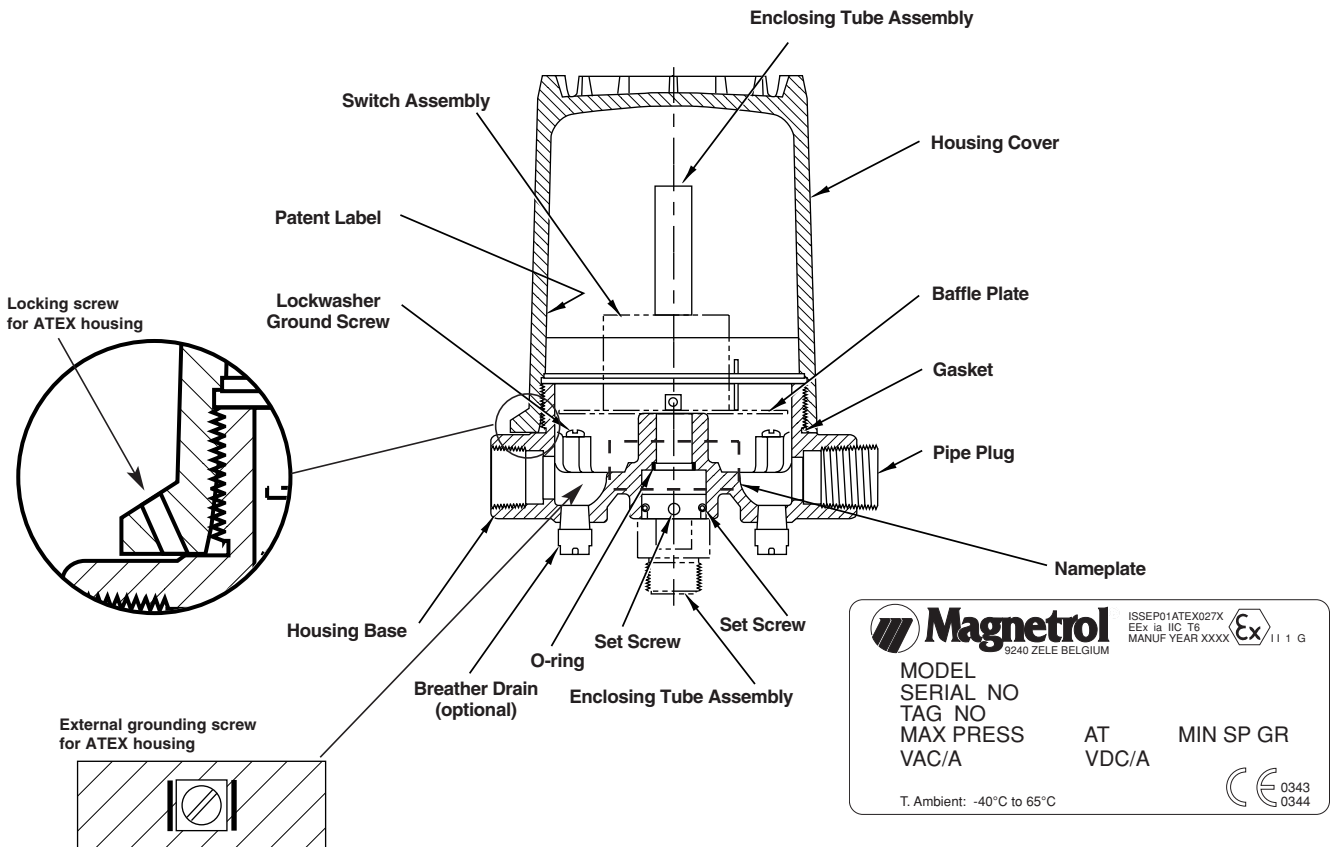




# Mechanical switch housing

## REPLACEMENT ASSEMBLIES HOUSING ASSEMBLY – ATEX / WEATHER PROOF / FM NEMA 7/9



### DESCRIPTION

Standard housing replacement assemblies are designed for applications ranging from general purpose, indoor use, to non hazardous installations requiring a dust/water/lint, fiber/oil tight enclosure.

Explosion proof housing replacement assemblies are designed for applications in hazardous atmospheric locations, as classified under types ATEX II 1/2G and NEMA 7 and 9 of the National Electrical code.

Housings equipped with submersible base are suitable for submersion under water, as classified under NEMA types 6 of the code.

### IMPORTANT

When ordering, please specify:

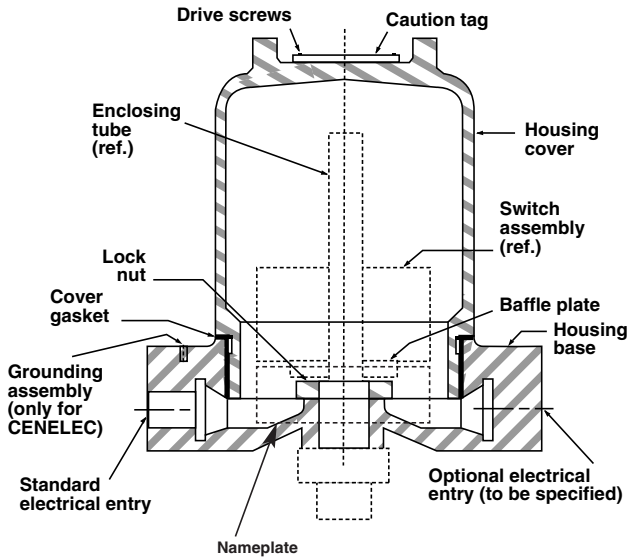
1. Model and serial number of control.
2. Name and part number of replacement kit.

**Note:** Consult your local representative on applications to meet NEMA and IP ratings not covered in this bulletin.


| Description   |                                | Replacement kit part no. |
|---|--------------------------------|--------------------------|
| ATEX housing (IP 66) cover 152 mm (6") and housing base, blue cover         |                                | Consult factory          |
| IP 66 housing cover 152 mm (6") and housing base, blue cover (1" NPT entry) |                                | 89-6582-020              |
| IP 66 housing cover 152 mm (6") and housing base with drain, blue cover     |                                | 89-6582-026              |
| ATEX housing cover (IP 66) 203 mm (8") and housing base, blue cover         |                                | Consult factory          |
| IP 66 housing cover 203 mm (8") and housing base, blue cover (1" NPT entry) |                                | 89-6582-021              |
| IP 66 housing cover 203 mm (8") and housing base with drain, blue cover     |                                | 89-6582-027              |
| Class I, Group B housing cover 203 mm (8") and housing base, blue cover     |                                | 89-6582-032              |
| IP 66 housing with extension 330 mm (13") and housing base, blue cover      |                                | 89-6578-025              |
| Gasket  |                                | 12-2201-253              |
| O-ring  |                                | 12-2201-116              |
| Baffle plate  | series A, B, C, D, E, F, 2 & 3 | 05-6657-001              |
| Washer  | series HS, Group B             | 05-7101-001              |

# TYPICAL EXPLOSION PROOF (E.P.) HOUSING

## HOUSING ASSEMBLY - CENELEC (EEx d II C T6)



**Nameplate**


 **Magnetrol** MANUF. YEAR XXXX  
3240 ZELE BELGIUM

MODEL

SERIAL N°

TAG N°

MAX PRESS  AT  MIN. SP. GR.

VAC/A  VDC/A   0343

| Description  | Replacement kit part no.  |
|--|---|
| <b>Housing base kit</b><br>housing base, nameplate,<br>drive screws, lock nut, lock<br>screw, grounding assembly<br>(only for CENELEC) | 189-9126-001<br>(3/4" NPT entry)<br><br>189-9126-002<br>(M20 x 1.5 entry) |
| <b>Housing cover kit</b><br>housing cover, caution tag,<br>drive screws, cover gasket  | 189-9122-001  |
| <b>Cover gasket</b>  | 12-1301-005   |
| <b>Baffle plate</b><br>(switch series A, B, C, D, E,<br>F, U, W, X, 2 and 3)   | 36-5303-003   |

## AVAILABLE HOUSINGS



- For Non Ex use
- IP 66
- Die cast Aluminium
- 2 Entries (one plugged)
- Standard blue anti corrosive coating
- Housing heater/drain available, consult factory



- For Exd/Exi use
- IP 66
- Die cast Aluminium
- 2 Entries (one plugged)
- Standard blue anti corrosive coating
- ATEX II 2G EEx d II C T6
- ATEX II 1G EEx ia II C T6



- For Exd use
- IP 66
- Cast Iron
- One entry (2 entries at request)
- Standard blue anti corrosive coating
- CENELEC EEx d II C T6



- For pneumatic switches
- IP 53 (NEMA 3R)
- IP 55 optional at request
- Alu base / cold rolled steel cover
- Standard blue anti corrosive coating

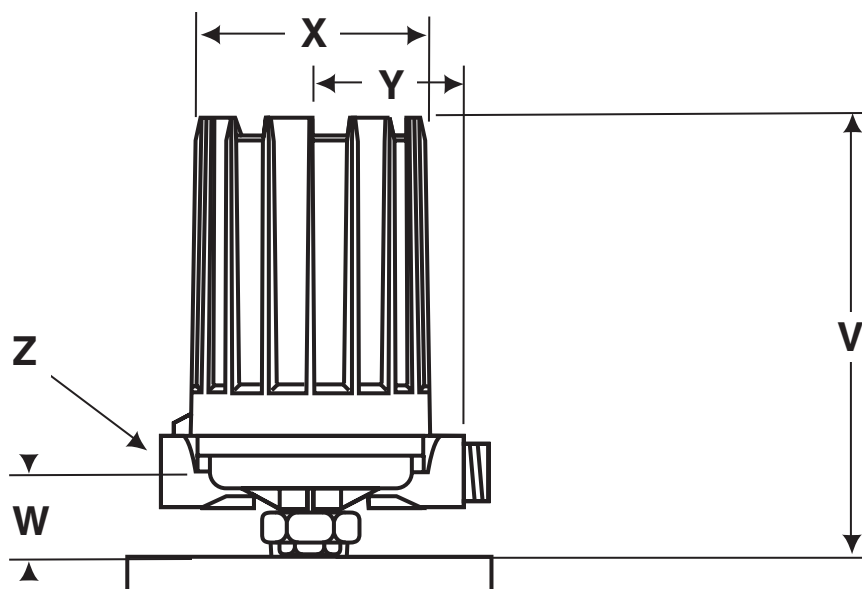


- For Exd use
- IP 66 (NEMA 7/9)
- Die cast Aluminium
- 2 Entries (one plugged)
- Standard blue anti corrosive coating
- FM, Class I, Div. 1, Groups C & D
- FM, Class II, Div. 1, Groups E, F & G

## DIMENSIONS in mm (inches)

| Housing type                                 | Models           | V   |        | W   |        | ø X |        | Y   |        | Z   |
|--|------------------|-----|--------|-----|--------|-----|--------|-----|--------|---|
|  |                  | mm  | inches | mm  | inches | mm  | inches | mm  | inches |   |
| Weatherproof-FM (NEMA 7/9) - ATEX (Cast Alu) | With tall cover  | 257 | 10.12  | 42  | 1.66   | 151 | 5.93   | 109 | 4.29   | M20 x 1,5 (*) or 1" NPT<br>(2 entries - 1 plugged)<br>(*) not for FM (NEMA 7/9) |
|  | With short cover | 202 | 7.94   |     |        |     |        |     |        |   |
| GENELEC (Cast Iron)                          | All              | 249 | 9.80   | 45  | 1.77   | 143 | 5.63   | 110 | 4.33   | M20 x 1,5 or 3/4" NPT<br>(single entry - 2 entries at request)                  |
| Pneumatics Switch Module J                   | With short cover | 165 | 6.50   | 39  | 1.54   | 118 | 4.65   | 110 | 4.33   | 1/4" NPT  |
|  | With tall cover  | 216 | 8.50   |     |        |     |        |     |        |   |
| Pneumatics Switch Module K                   | With short cover | 165 | 6.50   | 130 | 5.12   |     |        |     |        |   |
|  | With tall cover  | 216 | 8.50   |     |        |     |        |     |        |   |

Allow 200 mm (7.87") overhead clearance / All housings are 360 ° rotatable



# IMPORTANT

## SERVICE POLICY

Owners of Magnetrol products may request the return of a control; or, any part of a control for complete rebuilding or replacement. They will be rebuilt or replaced promptly. Magnetrol International will repair or replace the control, at no cost to the purchaser, (or owner) **other than transportation cost** if:

- a. Returned within the warranty period; and,
- b. The factory inspection finds the cause of the malfunction to be defective material or workmanship.

If the trouble is the result of conditions beyond our control; or, is **NOT** covered by the warranty, there will be charges for labour and the parts required to rebuild or replace the equipment.

In some cases, it may be expedient to ship replacement parts; or, in extreme cases a complete new control, to replace the original equipment before it is returned. If this is desired, notify the factory of both the model and serial numbers of the control to be replaced. In such cases, credit for the materials returned, will be determined on the basis of the applicability of our warranty.

No claims for misapplication, labour, direct or consequential damage will be allowed.

## RETURNED MATERIAL PROCEDURE

So that we may efficiently process any materials that are returned, it is essential that a "Return Material Authorisation" (RMA) form will be obtained from the factory. It is mandatory that this form will be attached to each material returned. This form is available through Magnetrol's local representative or by contacting the factory. Please supply the following information:

1. Purchaser Name
2. Description of Material
3. Serial Number
4. Desired Action
5. Reason for Return
6. Process details

All shipments returned to the factory must be by prepaid transportation. Magnetrol **will not accept** collect shipments.

All replacements will be shipped FOB factory.

UNDER RESERVE OF MODIFICATIONS

BULLETIN N°: BE 42-780.2  
EFFECTIVE: JUNE 2002  
SUPERSEDES: February 1999



|                |  |                      |
|----------------|--|----------------------|
| BENELUX        | Heikensstraat 6, 9240 Zele, België<br>Tel. (052) 45.11.11  | Fax. (052) 45.09.93  |
| DEUTSCHLAND    | Schloßstraße 76, D-51429 Bergisch Gladbach-Bensberg<br>Tel. (02204) 9536-0                                   | Fax. (02204) 9536-53 |
| FRANCE         | Le Vinci 6 - Parc d'activités de Mitry Compans,<br>1, rue Becquerel, 77290 Mitry Mory<br>Tél. 01.60.93.99.50 | Fax. 01.60.93.99.51  |
| ITALIA         | Via Arese 12, I-20159 Milano<br>Tel. (02) 607.22.98 (R.A.)   | Fax. (02) 668.66.52  |
| UNITED KINGDOM | Unit 1 Regent Business Centre<br>Jubilee Road Burgess Hill West Sussex RH 15 9TL<br>Tel. (01444) 871313      | Fax (01444) 871317   |
| INDIA          | B4/115 Safdurjung Enclave, New Delhi 110 029<br>Tel. 91 (11) 6186211   | Fax 91 (11) 6186418  |