



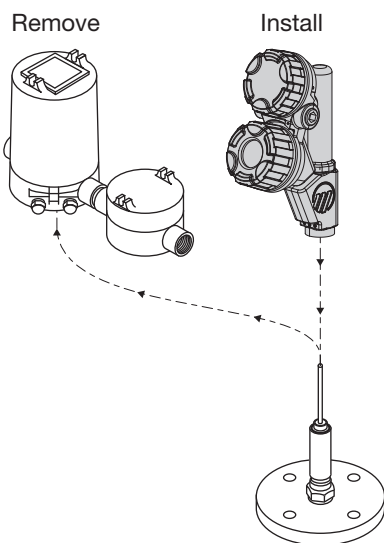
## E3 Modulelevel® Retrofits



- **E3 Transmitter Head Onto Existing Electronic Modulelevel**
- **E31 or E32 Head Into Existing Modulelevel Chamber**
- **E31 or E32 Head Into Existing Torque Tube Transmitter Chamber**

The new E3 electronic Modulelevel incorporates many advances not previously available in a displacer transmitter. This exciting product offers communications via a variety of platforms; three-button keypad and two-line × eight-character LCD display, HART® communications, AMS, PACTware or FOUNDATION fieldbus™. The use of the distinctive Eclipse® dual-compartment angled housing results in a sleek, modernized look, as well as, decreased size and weight.

The E3 Modulelevel is ideal for retrofitting onto an existing Modulelevel or into an existing Modulelevel or other manufacturer's chamber.



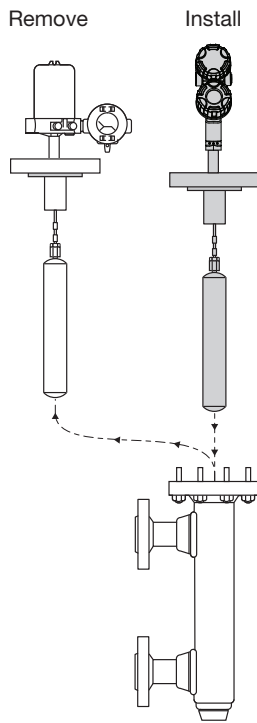
### E3 Transmitter Head Onto Existing Electronic Modulelevel

The E3 transmitter head can be retrofitted onto all existing EZ, Smart EZ, ES II and E3 sensing units. Order part number Z39-4101-Hxx, where the ninth and tenth digits are identical to those of the applicable E3 model number (see bulletin BE 48-135).

Mounting and Temperature
Housing Material and Agency Approval

Z39-4101-H

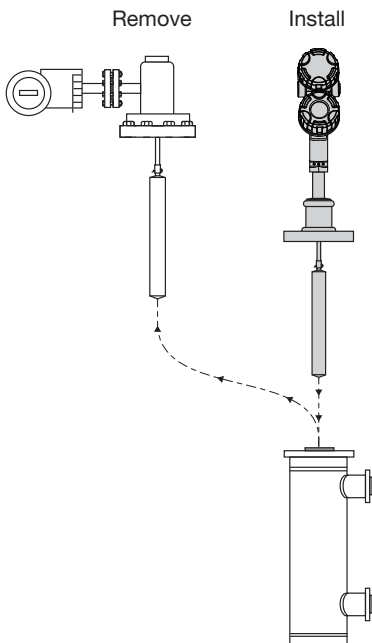
Remove the old transmitter head and install the new head on the existing enclosing tube (see bulletin 48-697). User calibration must be performed with E3 head on old sensing unit.



### E31 or E32 Head Into Existing Modulelevel Chamber

A top mounted E3 Modulelevel can be mounted into an existing pneumatic or electronic Modulelevel chamber. A standard model E3 can be dropped into an existing blind flange design chamber (E8x). If the existing Modulelevel has a top-hat style chamber, a specially modified E3 can be mounted into the existing top hat design chamber (P6x, E6x).

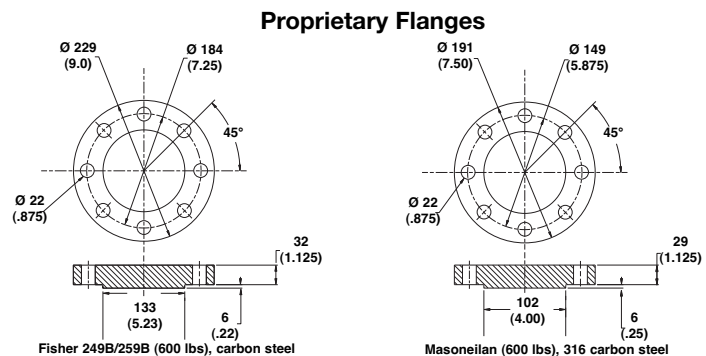
Order model E31 or E32 for existing blind chamber, or an XE31 or XE32, X=special stem length for an existing top-hat chamber. Remove old Modulelevel displacer and top works from chamber and mount the new E3 as you would any top mounted model (see bulletin BE 48-635). Simple configuration must be performed (no calibration required).



### E31 or E32 Head Into Existing Torque Tube Transmitter Chamber

A top mounted E3 Modulelevel can be mounted into an existing side/side or side/bottom configuration torque tube chamber.\* The unit must be specially modified with a compatible head flange and stem length adjusted for the torque tube chamber.

Order model XE31 or XE32, X=torque-tube flange, special stem length. Remove the old torque tube top works and displacer from the chamber and mount the new E3 as you would any top mounted model (see bulletin BE 48-635). Simple configuration must be performed (no calibration required).



\* E3 cannot be retrofit onto a Fisher 249C chamber.

UNDER RESERVE OF MODIFICATIONS

BULLETIN N°: BE 48-698.0  
EFFECTIVE: DECEMBER 2009  
SUPERSEDES: New



www.magnetrol.com

BENELUX FRANCE	Heikensstraat 6, 9240 Zele, België -Belgique Tél. +32 (0)52.45.11.11 • Fax. +32 (0)52.45.09.93 • E-Mail: info@magnetrol.be
DEUTSCHLAND	Alte Ziegelei 2-4, D-51491 Overath Tel. +49 (0)2204 / 9536-0 • Fax. +49 (0)2204 / 9536-53 • E-Mail: vertrieb@magnetrol.de
INDIA	C-20 Community Centre, Janakpuri, New Delhi - 110 0058 Tel. +91 (11) 41661840 • Fax +91 (11) 41661843 • E-Mail: info@magnetrolindia.com
ITALIA	Via Arese 12, I-20159 Milano Tel. +39 02 607.22.98 (R.A.) • Fax. +39 02 668.66.52 • E-Mail: mit.gen@magnetrol.it
U.A.E.	DAFZA Office 5EA 722 • PO Box 293671 • Dubai Tel. +971-4-6091735 • Fax +971-4-6091736 • E-Mail: info@magnetrol.ae
UNITED KINGDOM	Unit 1 Regent Business Centre, Jubilee Road Burgess Hill West Sussex RH 15 9TL Tel. +44 (0)1444 871313 • Fax +44 (0)1444 871317 • E-Mail: sales@magnetrol.co.uk